

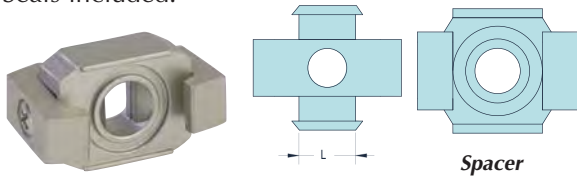
Mounting Hardware for Combination Units

To convert individual Filter, Regulator and Lubricators into combination units. Seals included.

FRL Series	Spacer with L Bracket	Spacer with T Bracket	Dim.	MMH-Y10L	MMH-Y20L	MMH-Y30L	MMH-Y40L	MMH-Y50L	MMH-Y60L
	MMH-Y10L	MMH-Y10T		MMH-Y10T	MMH-Y20T	MMH-Y30T	MMH-Y40T	MMH-Y50T	MMH-Y60T
FRL-1	MMH-Y10L	MMH-Y10T	H1	1.06 (27.0)	1.30 (33.0)	1.77 (45.0)	1.97 (50.0)	1.97 (50.0)	2.48 (63.0)
FRL-2	MMH-Y20L	MMH-Y20T	H2	2.13 (54.0)	2.60 (66.0)	3.54 (90.0)	3.94 (100.0)	3.94 (100.0)	4.96 (26.0)
FRL-3	MMH-Y30L	MMH-Y30T	L	0.47 (12.0)	0.59 (15.0)	0.63 (16.0)	0.87 (22.0)	0.87 (22.0)	0.91 (23.0)
FRL-4W/4Z	MMH-Y40L	MMH-Y40T	LS	0.18 (4.5)	0.22 (5.5)	0.28 (7.0)	0.35 (9.0)	0.35 (9.0)	0.47 (12.0)
FRL-4A	MMH-Y50L	MMH-Y50T	HM	0.12 (3.0)	0.12 (3.0)	0.16 (4.0)	0.16 (4.0)	0.16 (4.0)	0.16 (4.0)
FRL-5	MMH-Y60L	MMH-Y60T	TS	0.20 (5.0)	0.20 (5.0)	0.28 (7.0)	0.28 (7.0)	0.28 (7.0)	0.41 (10.5)
			RM	0.09 (2.3)	0.11 (2.8)	0.14 (3.5)	0.18 (4.5)	0.18 (4.5)	0.24 (6.0)
			HS1	0.79 (20.0)	0.94 (24.0)	1.38 (35.0)	1.57 (40.0)	1.57 (40.0)	1.97 (50.0)
			HS2	1.57 (40.0)	1.89 (48.0)	2.76 (70.0)	3.15 (80.0)	3.15 (80.0)	3.94 (100.0)

Spacers

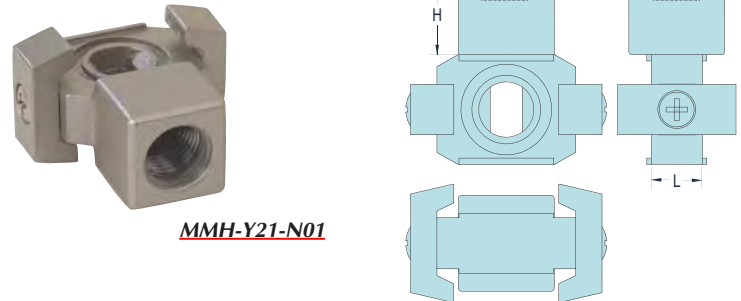
To convert individual Filter, Regulator and Lubricators into combination units without mounting brackets. Seals included.



Series	Part No.	"L" Dimension
FRL-1	MMH-Y10	0.32 (8.1)
FRL-2	MMH-Y20	0.41 (10.4)
FRL-3	MMH-Y30	0.44 (11.2)
FRL-4W/4Z	MMH-Y40	0.55 (14.0)
FRL-4A	MMH-Y50	0.57 (14.5)
FRL-5	MMH-Y60	0.61 (15.5)

Spacers with Auxiliary Port

Provides parallel port between components.



FRL Series	Spacer with Port	Spacer with L Bracket & Port	Spacer with T Bracket & Port	L	Dimension H	W
FRL-2	MMH-Y21-N01 (1/8")	MMH-Y21L-N01 (1/8")	MMH-Y21T-N01 (1/8")	0.41 (10.4)	0.69 (17.5)	0.76 (19.3)
	MMH-Y21-N02 (1/4")	MMH-Y21L-N02 (1/4")	MMH-Y21T-N02 (1/4")	0.41 (10.4)	0.69 (17.5)	0.76 (19.3)
FRL-3	MMH-Y31-N01 (1/8")	MMH-Y31L-N01 (1/8")	MMH-Y31T-N01 (1/8")	0.44 (11.2)	0.64 (16.3)	0.75 (19.1)
	MMH-Y31-N02 (1/4")	MMH-Y31L-N02 (1/4")	MMH-Y31T-N02 (1/4")	0.44 (11.2)	0.64 (16.3)	0.75 (19.1)
FRL-4W/4Z	MMH-Y41-N02 (1/4")	MMH-Y41L-N02 (1/4")	MMH-Y41T-N02 (1/4")	0.55 (14.0)	0.71 (18.0)	0.94 (23.9)
	MMH-Y41-N03 (3/8")	MMH-Y41L-N03 (3/8")	MMH-Y41T-N03 (3/8")	0.55 (14.0)	0.71 (18.0)	0.94 (23.9)
FRL-5	MMH-Y61-N03 (3/8")	MMH-Y61L-N03 (3/8")	MMH-Y61T-N03 (3/8")	0.61 (15.5)	0.79 (20.1)	1.18 (30.0)
	MMH-Y61-N04 (1/2")	MMH-Y61L-N04 (1/2")	MMH-Y61T-N04 (1/2")	0.61 (15.5)	0.79 (20.1)	1.18 (30.0)